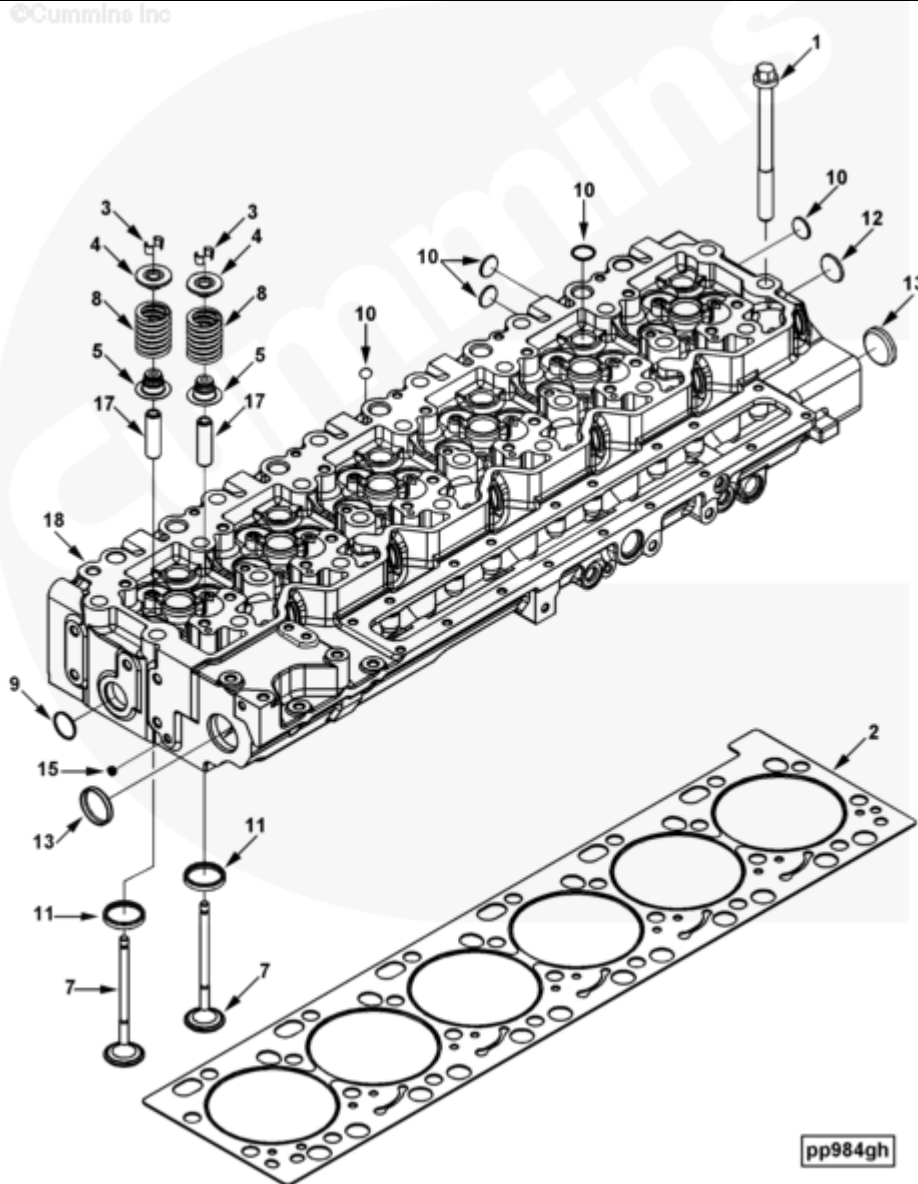




Parts Catalog - Option Detail

Electronic Parts Catalog - Option Detail				
Option	Group	Graphic	Film Card	Date
PP40906-02	02.01	pp984gh	Z	01-JUN-07
Engines	6C8.3, C GAS PLUS CM556, G8.3, G8.3 CM558, GTA8.3 CM558, ISC CM2150, ISC CM554, ISC CM850, ISC8.3 CM2250, ISC8.3 G CM2180 C101, ISL CM2150, ISL CM554, ISL CM850, ISL G CM2180, ISL8.9 CM2150 L110, ISL8.9 CM2880 L112, ISL9 CM2150 SN, ISL9 CM2250, ISL9 CM2350 L101, ISL9 CM2350 L111, ISLE4 CM850, L GAS PLUS CM556, L8.9, L8.9 L121, L8.9G CMOH2.0 L125B, L9 CM2350 L116B, L9 CM2350 L119B, L9 CM2350 L120C, L9 CM2350 L123B, L9.3 L105, L9.5 L117, L9N CM2380 L124B, QSC8.3 CM2250, QSC8.3 CM2880 C102, QSC8.3 CM554, QSC8.3 CM850(CM2850), QSL9 CM2250, QSL9 CM2250 L115, QSL9 CM2350 L102, QSL9 CM2350 L107, QSL9 CM2350 L118, QSL9 CM2350 L122, QSL9 CM554, QSL9 CM850(CM2850), QSL9 G CM558, QSL9 M CM2250 L106, QSL9.3 CM2880 L113			



pp984gh

Cart	Ref No	Part Number	Part Description	Required	Remarks
<input type="button" value="View My Cart"/>					
		PP40906-02	Cylinder Head		MR - HEAD, CYLINDER...(More)
					Technical Model Name:
					6CTA8.3-ME
					Engine Family: C Series
					CPL: 0906
					Certified By: IMO, IMO, EU,
					EPA
					Cylinders: 6
					Engine Aspiration: Sea Water
					Aftercooled
					Engine Control System: P1I
					Engine Application: Marine
					Service Model: QSC
					ECM Version: CM850
<input type="checkbox"/>	1	3960043	Fracture Resistant Screw	26	M14 X 2.00 X 160.
<input type="checkbox"/>	2	4981330	Cylinder Head Gasket	1	
<input type="checkbox"/>		4935787	Cylinder Head	1	
<input type="checkbox"/>	3	3900250	Valve Collet	48	
<input type="checkbox"/>	4	3944452	Valve Spring Retainer	24	
<input type="checkbox"/>	5	3948578	Valve Stem Seal	24	
	6	3969637	Exhaust Valve	12	Sold In Higher Level Assy/Kit
	7	3970727	Intake Valve	12	Sold In Higher Level Assy/Kit
	8	4936076	Valve Spring	24	
		4935786	Cylinder Head	1	
<input type="checkbox"/>	9	3032693	Expansion Plug	2	1.198 in.
<input type="checkbox"/>	10	3920706	Expansion Plug	18	
<input type="checkbox"/>	11	3940152	Valve Insert	12	Intake.

<input type="checkbox"/>	12	3945093	Expansion Plug	1	
<input type="checkbox"/>	13	3945094	Expansion Plug	2	
<input type="checkbox"/>	14	3945098	Expansion Plug	6	
<input type="checkbox"/>	15	3945097	Expansion Plug	1	
	16	3968074	Valve Insert	12	Exhaust.
<input type="checkbox"/>	17	4934063	Valve Stem Guide	24	
	18	4935785	Cylinder Head	1	

© 2019 Cummins Inc., Box 3005, Columbus, IN 47202-3005 U.S.A.
Terms of Use and Disclaimers | Recommended System Requirements
Need Assistance? Please click on the Contact Us button in the top right corner of any page.